

PR 1713 System Weighing Controller

global weighing technologies



- Programmable weighing and batching controller (acc. IEC 61131)
- 5000 d W&M indicator EC conformity certificate acc. to EN 45 501
- Integrated PLC functions
- Optional:
 - Fieldbus options
 - Ethernet option
 - analogue I/O's
 - several control I/O's
- Stainless steel multi purpose housing with IP 65
- External PC-keyboard connectable

Profile

The weight indicator PR 1713 has been designed for high precision weighing applications e.g. for platforms, weighbridges, filling stations and batching applications.

Technical Data

Power supply

115/230 V_{AC} 50-60 Hz
max. 19 W / 25 VA

Housing

stainless steel DIN 1.4301 (B.S. 304)
Ingress Protection: IP 65

Display

7-digit plus status symbols
text: 2 lines, 20 characters

Load cell input

6- or 4-wire
Load cell supply: 12 V
Impedance: min. 75 Ω,
e. g. 8 load cells with 650 Ω

Control inputs

4 opto-isolated inputs
low: 0..5 V
high: 10..31 V
user configurable

Control outputs

4 relais outputs, 24 V_{DC}/max. 1 A;
user configurable

Interface

Bi-directional serial interface RS232;
user selectable protocols: EW Com,
remote string, printer, XON Jbus,
MOD-Bus, Dust
NTEP 10,000 d, class III/IIIL

Accuracy

5000 d class III acc. to EN 45 501
OIML R 76
min. verification interval 1.2 μV/e
suitable for automatic weighing
instruments

Linearity: < 0.007%

Resolution (internal):
max. 330,000 div. (internal)

Measuring principle

radiometric integrating A/D converter
conversion time: 50 ms.
update: 100 ms to 2 s
adjustable in 100 ms steps

Input signal range

net range: 2.4 mV to 36 mV
tare range: 0...33.6 mV

Temperature effects:

Live zero Tko: <0.1 μV / K RTI
Span: TKspn <0.006 % / 10 K

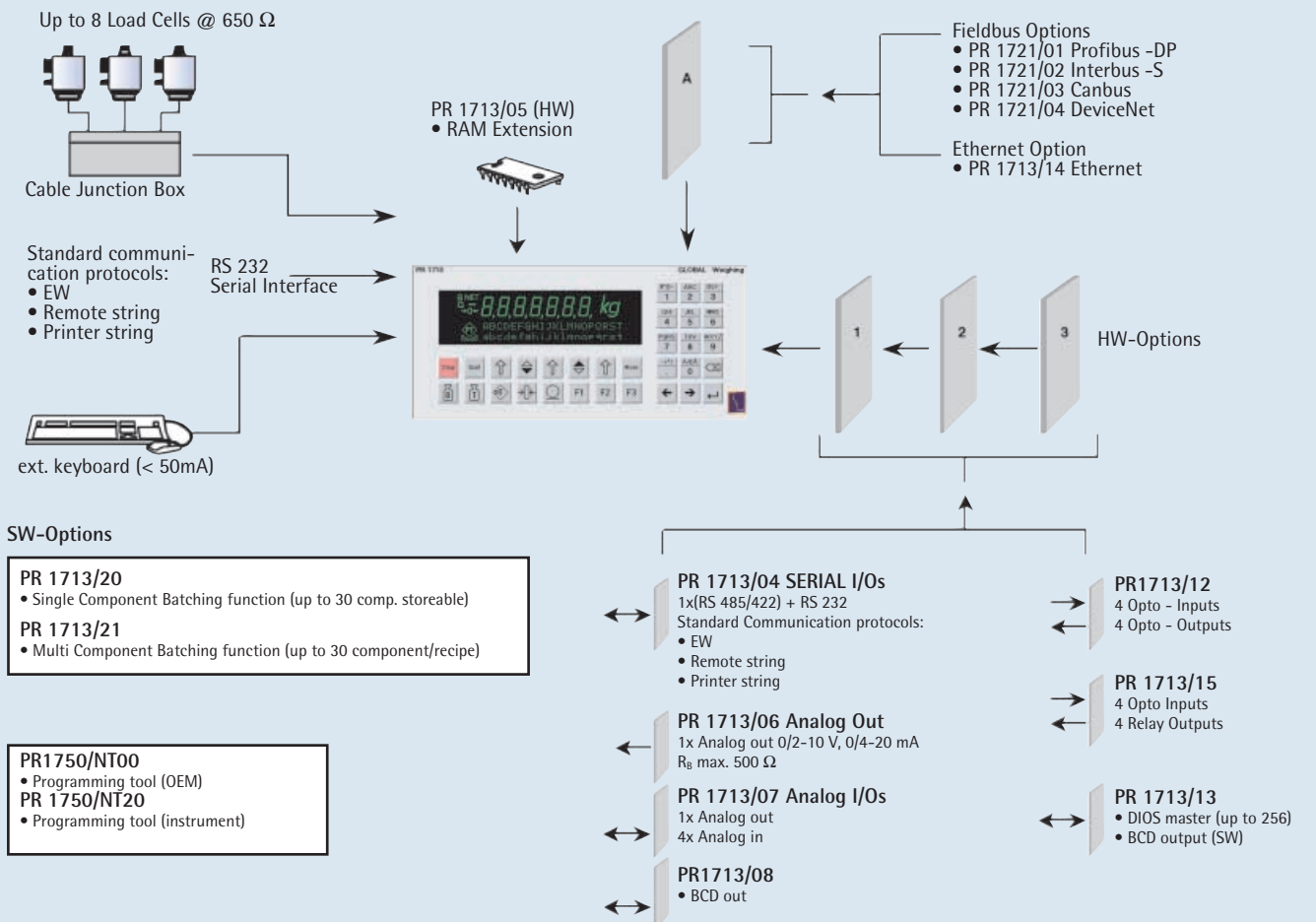
Environmental Conditions

Temperature range

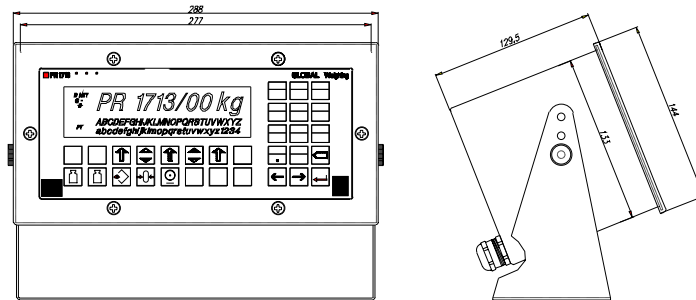
Operation: -10 °C to +40 °C
Storage: -40 °C to +70 °C

Electrical safety: IEC 1010-1
Vibration: IEC 68-2-6, Test Fc
Electrostatic discharge: IEC 1000-4-2
Interference: IEC 1000-4-4
Electromagnetic field: IEC 1000-4-3
Radio noise suppression: EN 55011

Functional diagram PR 1713



Instrument dimensions:



Order Numbers

Type	Number	Type	Number
System Weighing Controller	PR 1713/00	Device Net	PR 1713/14
System Weighing Controller 24 V	PR 1713/01	Control I/Os Relay	PR 1713/15
Hardware Options:			
Serial I/O RS 485/422 + RS 232	PR 1713/04	Opto In/Out	PR 1713/17
RAM Extension	PR 1713/05	Profibus-DP Interface	PR 1721/01
Analog Out	PR 1713/06	Interbus-S Interface	PR 1721/02
Analog I/Os	PR 1713/07	CanBus Interface	PR 1721/03
BCD Output	PR 1713/08	DeviceNet Interface	PR 1721/04
Control I/Os Opto	PR 1713/12	Software Options:	
DIOS Master	PR 1713/13	Single Component Batching function	PR 1713/20
		Multi Component Batching function	PR 1713/21

