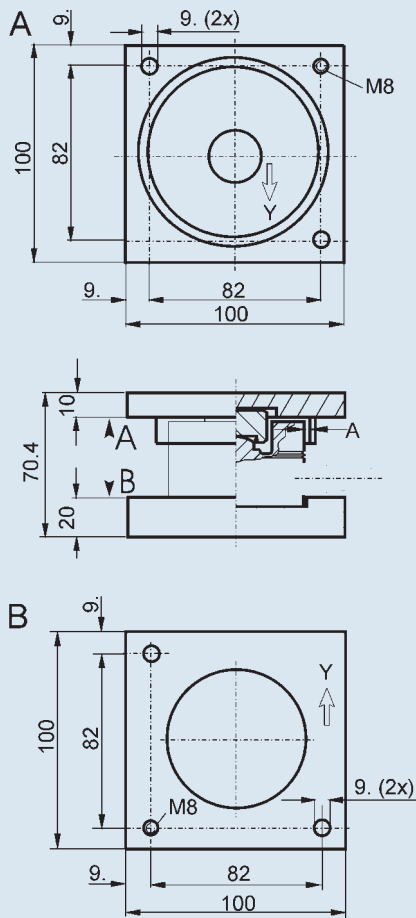
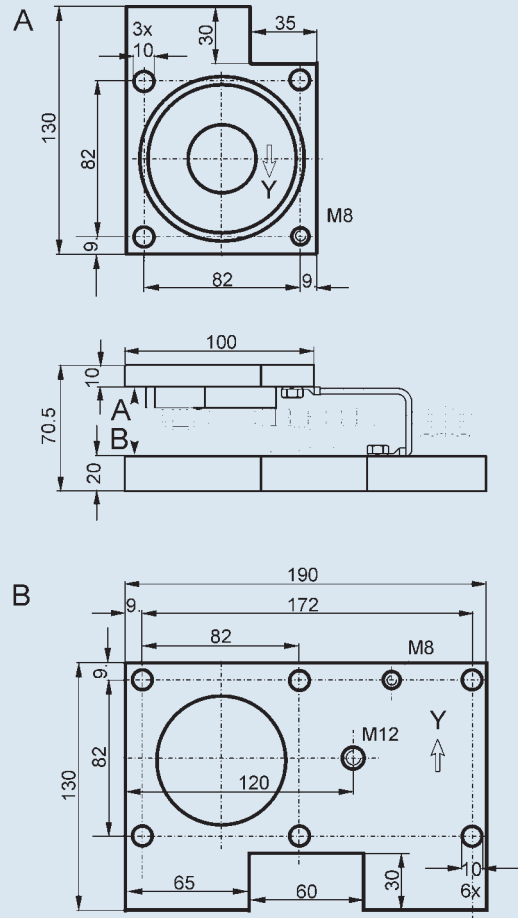


Mounting plate kit and MiniFLEXLOCK for PR 6211 (500 kg...10 t)



PR 6011/10N & S



MiniFLEXLOCK PR 6011/30N & S

PR 6011/10

Technical data

Mounting with bolts M8

Version

- mild steel, zinc plated, yellow chromated
- stainless steel 1.4301 acc. to DIN 17440

MiniFLEXLOCK PR 6011/30

Technical data

Mounting with bolts M8

Max. continuous horizontal force for the constrainer 5 kN

Destructive force of the constrainer >10 kN

Version

- mild steel, zinc plated, yellow chromated
- stainless steel 1.4301 acc. to DIN 17440 (all parts including the swivel bearings are made from stainless steel)

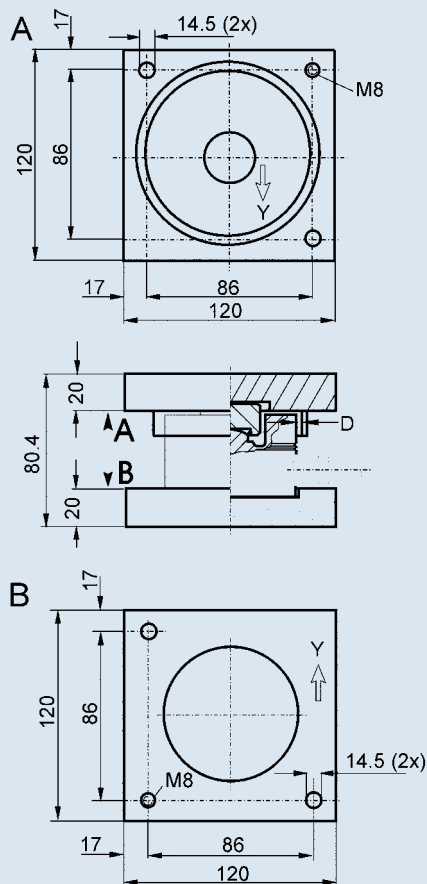
Accessories

(supplied with the mounting kits)

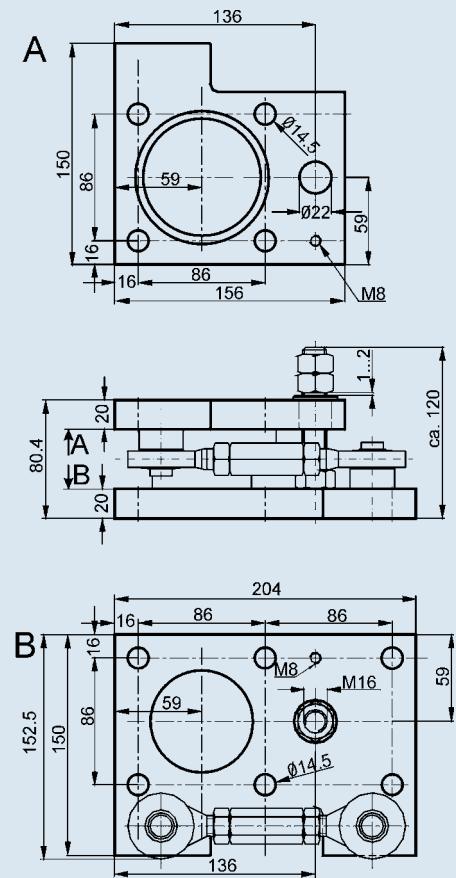
- Bolts and washer to fix the earthing cable
- Instruction manual
- Drilling template

Type	Description	Order code	Packing cm	Weight gross/net
PR 6011/10N	Mounting plate kit	9405 360 11101	27 x 16 x 3	2.3kg/2.4kg
PR 6011/10S	Mounting plate kit, stainless steel	9405 360 11101	27 x 16 x 3	2.3kg/2.4kg
PR 6011/30N	MiniFLEXLOCK, 5kN	9405 360 11301	22 x 16 x 12	5.1kg/5.5kg
PR 6011/30S	MiniFLEXLOCK, 5kN, stainless steel	9405 360 11302	22 x 16 x 12	5.1kg/5.5kg

Mounting plate kit and SeismoFLEX for PR 6211 (500 kg...10 t)



PR 6011/11N & S



MiniFLEXLOCK PR 6011/40N & S

PR 6011/11

Technical data

Mounting with bolts M12

Version

- Mild steel, zinc plated, yellow chromated
- stainless steel 1.4301 acc. to DIN 17440

MiniFLEXLOCK PR 6011/40

Technical data

Mounting with bolts M12

Max. continuous horizontal force for the constrainer 20 kN

Destructive load of the constrainer >50 kN

Version

- Mild steel, zinc plated, yellow chromated
- stainless steel 1.4301 acc. to DIN 17440 (all elements including the swivel bearings are made from stainless steel)

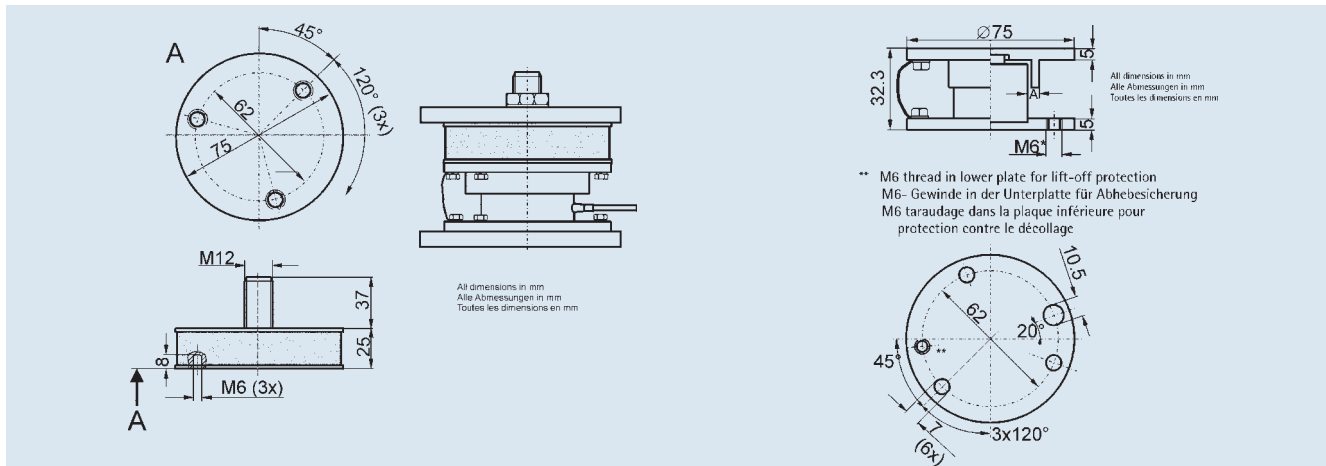
Accessories

(supplied with the mounting kits)

- Bolts and washer to fix the earthing cable
- Instruction manual
- Drilling template

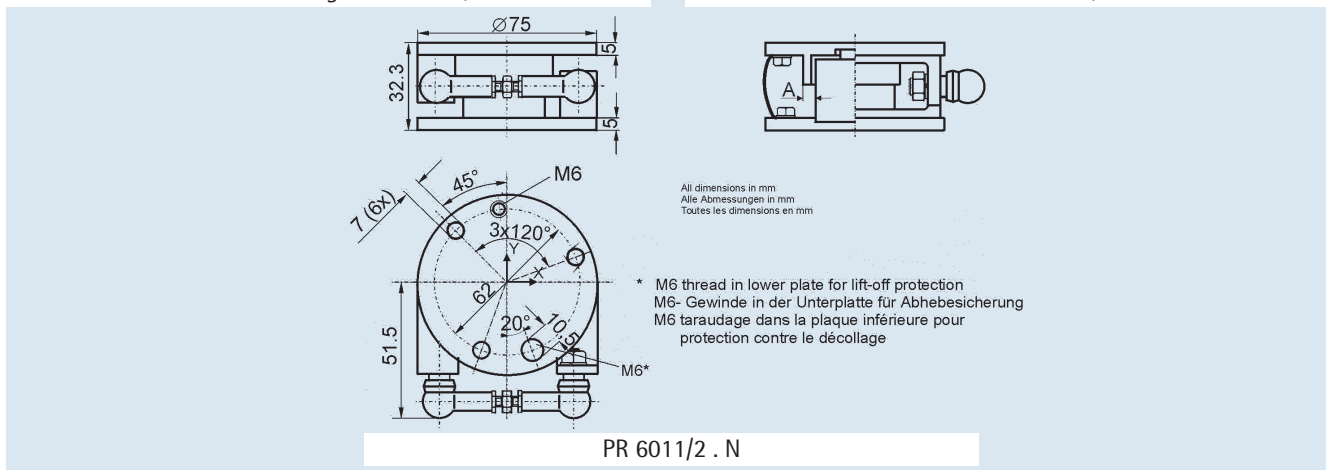
Type	Description	Order code	Packing cm	Weight gross/net
PR 6011/11N	Mounting plate kit	9405 360 11111	18 x 15 x 18	6.9 kg/6.5 kg
PR 6011/11S	Mounting plate kit, stainless steel	9405 360 11112	18 x 15 x 18	6.9 kg/6.5 kg
PR 6011/40N	MiniFLEXLOCK, 20 kN	9405 360 11401	24 x 19 x 18	8.13 kg/8.58 kg
PR 6011/40S	MiniFLEXLOCK, 20 kN, stainless steel	9405 360 11402	30 x 16 x 17	8.15 kg/8.40 kg

Mounting kits for PR 6211 (30 kg...300 kg)



Rubber Mounting Kit PR 6011/03

Plattensatz PR 6011/00



PR 6011/2 . N

Rubber mounting kit PR 6011/03N

suitable for PR6211 with capacities from 30 kg up to 300 kg

max. vertical load
450 kg

Operating temperature
-45° C...+70° C (-49° F...+158° F)

PR 6011/00

Technical data

Mounting with bolts M6

Version

- Mild steel, zinc plated, yellow chromated
- Stainless steel 1.4301 acc. to DIN 17440

MiniFLEXLOCK PR 6011/20

Technical data

Mounting with bolts M6

Max. continuous horizontal force of the constraîner 450 N

Version

- Mild steel, zinc plated, yellow chromated
- Stainless steel 1.4301 acc. to DIN 17440 (all parts including the constraîner are made from stainless steel)

Accessories

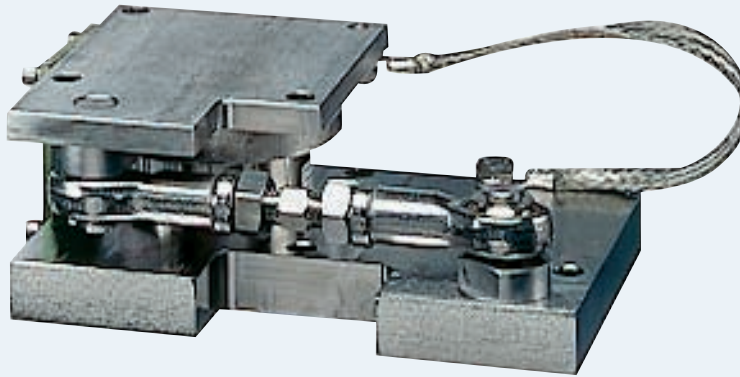
(supplied with the mounting kits)

- Bolts and washer to fix the earthing cable
- Instruction manual
- Drilling template

Type	Description	Order code	Packing cm	Weight gross/net
PR 6011/00N	Mounting plate kit	9405 360 11001	22 x 15 x 4	0.4 kg/0.5 kg
PR 6011/00S	Mounting plate kit, Stainless steel	9405 360 11002	22 x 15 x 4	0.4 kg/0.5 kg
PR 6011/03N	Elastomerlager	9405 360 11031	----	0.3 kg/0.34 kg
PR 6011/20N	MiniFLEXLOCK, 450N	9405 360 11201	22 x 15 x 4	0.5 kg/0.6 kg
PR 6011/20S	MiniFLEXLOCK, Stainless steel, 450N	9405 360 11202	22 x 15 x 4	0.5 kg/0.6 kg

Mounting kits for load cell PR 6211

global weighing technologies



PR 6011

- Simple and fast installation
- Proven mounting kits for vessels
- Best weighing performance since mounting kits and load cells form a complete weighing unit
- Prepared for the installation of a lift-off-protection
- Full stainless steel version available
- Swivel bearings are maintenance free
- Compact design

